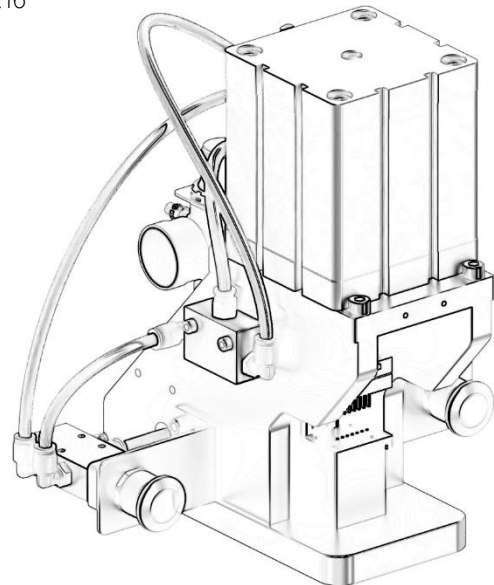


2024 US PRICE LIST
Effective 16th Sept, 2024

GMSTM
LOCK CYLINDERS

INDEX.....	2
MORTISE CYLINDERS.....	3
IC MORTISE HOUSINGS.....	4
MORTISE T-TURN/DUMMY CYLINDERS.....	5
RIM/RIM DUMMY CYLINDERS.....	6
IC RIM HOUSINGS.....	7
KNOB/LEVER CYLINDERS.....	8
IC CORES.....	9
MASTER KEY/CONSTRUCTION CORES.....	10
PROFILE CYLINDERS.....	11
PADLOCKS.....	12
KEY BLANKS.....	13
PARTS KITS.....	13
CAMS.....	13
COLLARS.....	13
TAILPIECES.....	14
SCREWS.....	14
TOOLS.....	14
ACCESSORIES.....	15
TERMS.....	16



MORTISE CYLINDERS



Model	Description	Carton Qty.	Case Qty.	List Price (ea.)
M156	Mortise cylinder, 15/16" length, 5 pin	10	100	\$17.65
M100*	Mortise cylinder, 1" length, 5 pin	10	100	\$17.65
M118*	Mortise cylinder, 1-1/8" length, 5 pin drilled 6	10	100	\$18.05
M118*	Mortise cylinder, 1-1/8" length, 6 pin	10	100	\$20.45
M118 AST*/ASV*/A62*	Mortise cylinder, 1-1/8" length, 6 pin, AST/ASV/A62 keyway	10	100	\$42.95
M114*	Mortise cylinder, 1/14" length, 5 pin drilled 6	10	100	\$18.35
M114*	Mortise cylinder, 1-1/4" length, 6 pin	10	100	\$20.80
M114 AST*/ASV*/A62*	Mortise cylinder, 1-1/4" length, 6 pin, AST/ASV/A62 keyway	10	100	\$44.70
M138**	Mortise cylinder, 1-3/8" length, 5 pin drilled 6	10	100	\$24.10
M138**	Mortise cylinder, 1-3/8" length, 6 pin	10	100	\$26.55
M112	Mortise cylinder, 1-1/2" length, 5 pin drilled 6	10	100	\$29.85
M112	Mortise cylinder, 1-1/2" length, 6 pin	10	100	\$32.30
M158**	Mortise cylinder, 1-5/8" length, 5 pin drilled 6	10	100	\$35.60
M158**	Mortise cylinder, 1-5/8" length, 6 pin	10	100	\$38.05
M134**	Mortise cylinder, 1-3/4" length, 5 pin drilled 6	10	100	\$41.35
M134**	Mortise cylinder, 1-3/4" length, 6 pin	10	100	\$43.80
M178**	Mortise cylinder, 1-7/8" length, 5 pin drilled 6	10	100	\$47.10
M178**	Mortise cylinder, 1-7/8" length, 6 pin	10	100	\$49.55
M200**	Mortise cylinder, 2" length, 5 pin drilled 6	10	100	\$52.85
M200**	Mortise cylinder, 2" length, 6 pin	10	100	\$55.30
M214**	Mortise cylinder, 2-1/4" length, 5 pin drilled 6	10	100	\$64.35
M214**	Mortise cylinder, 2-1/4" length, 6 pin	10	100	\$66.80
M212**	Mortise cylinder, 2-1/2" length, 5 pin drilled 6	10	100	\$75.85
M212**	Mortise cylinder, 2-1/2" length, 6 pin	10	100	\$78.30

* Price includes AR + ST cam

** Available in Schlage C, Schlage E, Schlage F, Schlage C~K, Schlage C123 and C145 keyways only, 12 weeks lead time, minimum order of 10 pieces required, no cancellation once order has been placed.

Master keying available, contact customer service for pricing

Cylinder face engraving (minimum 500 pcs, 12 weeks lead time)	\$1.80
---	--------

MODEL	KEYWAY	FINISH	CAM	KEYING
M156	AW (Arrow 1179)	3 (Polished Brass)	AR (AdamsRite)	A2 (Keyed alike in pairs)
M100	CB (Corbin 60)	4 (Satin Brass)	BE (Best)	KD (Keyed different)
M118	KW (Kwikset 1176)	10 (Satin Bronze)	CL (Corbin)	OB (Zero bitted)
M114	SC (Schlage C)	10B (Oil Rubbed Bronze)	SA (Sargent)	Except M156/M100,
M138	SE (Segal 9)	15 (Satin Nickel)	SL (Schlage L)	Cylinders are drilled 6,
M112	SX (Schlage C~K)	19 (Black)	ST (Yale)	Pinned 5.
	WR (Weiser E)	26 (Polished Chrome)	TS (Falson/Saflok)	
	YA (Yale 8)	26D (Satin Chrome)	AT (AdamsRite & Yale) -	
M156	CL4 (Corbin L4)	32D (Stainless Steel) -	\$1.70 additional charge	A2-6 (Keyed alike in pairs)
M100	RD1 (Russwin D1)	\$7.35 additional charge	Except on 1", 1-1/8", 1-1/4"	KD-6 (Keyed different)
M118	SA (Sargent LA)			OB-6 (Zero bitted)
M114	SAX (Sargent LA~LC)			Cylinders are drilled 6,
M138	SLB (Sargent LB)			Pinned 6.
M112	RA (Sargent RA)			
	SCE (Schlage E)			
	SCF (Schlage F)			
	YGA (Yale GA)			
M118	AST (ASSA Twin 6000)			NK-6
M114	ASV (ASSA V10)			Cylinders are sub-assembled
	G23 (Schlage C123)			With followers, no keys
	G45 (Schlage C145)			

IC MORTISE HOUSINGS

Model	Description	Carton Qty.	Case Qty.	List Price (ea.)
ICM*	Best IC mortise housing, straight	10	100	\$22.25
ICM 112	Best IC mortise housing, straight, 1-1/2", 7pin	10	100	\$28.00
ICT	Best IC mortise housing, tapered	10	100	\$22.70
ICS	Schlage IC mortise housing, straight	10	100	\$33.10
CCM	Corbin IC mortise housing, straight	10	100	\$33.10
MCM	Medeco IC mortise housing, straight	10	100	\$33.10
SCM	Sargent IC mortise housing, straight	10	100	\$33.10
YCM	Yale mortise housing, straight	10	100	\$33.10

* ICM custom lengths available. Special prices apply.

MODEL	FINISH	CAM
ICM6	3 (Polished Brass)	AR (AdamsRite)
ICM7	4 (Satin Brass)	BE (Best)
ICT6	10B (Oil Rubbed Bronze)	CL (Corbin)
ICT7	19 (Black)	SA (Sargent)
CCM	26 (Polished Chrome)	SL (Schlage L)
MCM	26D (Satin Chrome)	ST (Yale)
SCM		TS (Falson/Saflok)
YCM		
ICS		AR (AdamsRite) BE40 (Best BE40) CL (Corbin) SA (Sargent) SL (Schlage L) ST (Yale) TS (Falson/Saflok)



MORTISE T-TURN/DUMMY CYLINDERS



Model	Description	Carton Qty.	Case Qty.	List Price (ea.)
M156T	Mortise t-turn cylinder, 15/16" length, brass turn piece	10	100	\$18.00
M156TL	Mortise t-turn cylinder, 15/16" length, brass low profile turn piece	10	100	\$18.00
M100T	Mortise t-turn cylinder, 1" length, brass turn piece	10	100	\$18.35
M100TL	Mortise t-turn cylinder, 1" length, brass low profile turn piece	10	100	\$18.35
M100TA	Mortise t-turn cylinder, 1" length, ADA turn piece	10	100	\$24.40
M118T	Mortise t-turn cylinder, 1-1/8" length, brass turn piece	10	100	\$18.85
M118TA	Mortise t-turn cylinder, 1-1/8" length, ADA turn piece	10	100	\$24.85
M114T	Mortise t-turn cylinder, 1-1/4" length, brass turn piece	10	100	\$19.15
M114TA	Mortise t-turn cylinder, 1-1/4" length, ADA turn piece	10	100	\$25.20
M138T	Mortise t-turn cylinder, 1-3/8" length, brass turn piece	10	100	\$50.00
M138TA	Mortise t-turn cylinder, 1-3/8" length, ADA turn piece	10	100	\$55.65
M112T	Mortise t-turn cylinder, 1-1/2" length, brass turn piece	10	100	\$55.75
M112TA	Mortise t-turn cylinder, 1-1/2" length, ADA turn piece	10	100	\$61.40
M158T	Mortise t-turn cylinder, 1-5/8" length, brass turn piece	10	100	\$61.50
M158TA	Mortise t-turn cylinder, 1-5/8" length, ADA turn piece	10	100	\$67.15
M134T	Mortise t-turn cylinder, 1-3/4" length, brass turn piece	10	100	\$67.25
M134TA	Mortise t-turn cylinder, 1-3/4" length, ADA turn piece	10	100	\$72.90
M178T	Mortise t-turn cylinder, 1-7/8" length, brass turn piece	10	100	\$73.00
M178TA	Mortise t-turn cylinder, 1-7/8" length, ADA turn piece	10	100	\$78.65
M200T	Mortise t-turn cylinder, 2" length, brass turn piece	10	100	\$78.75
M200TA	Mortise t-turn cylinder, 2" length, ADA turn piece	10	100	\$84.40
M156D	Mortise dummy cylinder, 15/16" length	10	100	\$11.35
M100D	Mortise dummy cylinder, 1" length	10	100	\$11.35
M118D	Mortise dummy cylinder, 1-1/8" length	10	100	\$11.65
M114D	Mortise dummy cylinder, 1-1/4" length	10	100	\$12.15

MODEL	FINISH	CAM
M156T	3 (Polished Brass)	AR (AdamsRite)
M156TA	4 (Satin Brass)	BE (Best)
M156TL	10 (Satin Bronze)	CL (Corbin)
M100T	10B (Oil Rubbed Bronze)	SA (Sargent)
M100TA	15 (Satin Nickel)	SL (Schlage L)
M100TL	19 (Black)	ST (Yale)
M118T	26 (Polished Chrome)	TS (Falson/Saflok)
M118TA	26D (Satin Chrome)	AT (AdamsRite & Yale) -
M114T	32D (Stainless Steel) -	\$1.70 additional charge
M114TA	\$7.35 additional charge	Except on 1", 1-1/8", 1-1/4"
M138T		
M138TA		
M112T		
M112TA		
M156D		N/A
M100D		
M118D		
M114D		

RIM/RIM DUMMY CYLINDERS

Model	Description	Carton Qty.	Case Qty.	List Price (ea.)
R118	Rim cylinder, 1-1/8", 5 pin drilled 6	10	100	\$21.35
R118	Rim cylinder, 1-1/8", 6 pin	10	100	\$23.75
R118 AST/ASV/A62	Rim cylinder, 1-1/8", 6 pin, AST/ASV/A62 keyway	10	100	\$47.50
R118D	Rim dummy cylinder	10	100	\$16.65
R118T	Rim thumb turn cylinder	10	100	\$34.35

Master keying available, contact customer service for pricing

Cylinder face engraving (minimum 500 pcs, 12 weeks lead time)	\$1.80
---	--------

MODEL	KEYWAY	FINISH	KEYING	
R118	AW (Arrow 1179)	3 (Polished Brass)	A2 (Keyed alike in pairs) KD (Keyed different) OB (Zero bitted) <i>Cylinders are drilled 6, Pinned 5.</i>	
	CB (Corbin 60)	4 (Satin Brass)		
	KW (Kwikset 1176)	10 (Satin Bronze)		
	SC (Schlage C)	10B (Oil Rubbed Bronze)		
	SE (Segal 9)	15 (Satin Nickel)		
	SX (Schlage C~K)	19 (Black)		
	WR (Weiser E)	26 (Polished Chrome)		
	YA (Yale 8)	26D (Satin Chrome)		
	CL4 (Corbin L4)	32D (Stainless Steel) - \$7.35 additional charge		A2-6 (Keyed alike in pairs)
	RD1 (Russwin D1)			KD-6 (Keyed different)
SA (Sargent LA)		OB-6 (Zero bitted)		
SAX (Sargent LA~LC)		<i>Cylinders are drilled 6, Pinned 6.</i>		
SLB (Sargent LB)				
RA (Sargent RA)				
SCE (Schlage E)				
SCF (Schlage F)				
YGA (Yale GA)				
AST (ASSA Twin 6000)			NK-6	
ASV (ASSA V10)			<i>Cylinders are sub-assembled With followers, no keys</i>	
G23 (Schlage C123)				
G45 (Schlage C145)				
R118D	N/A		N/A	

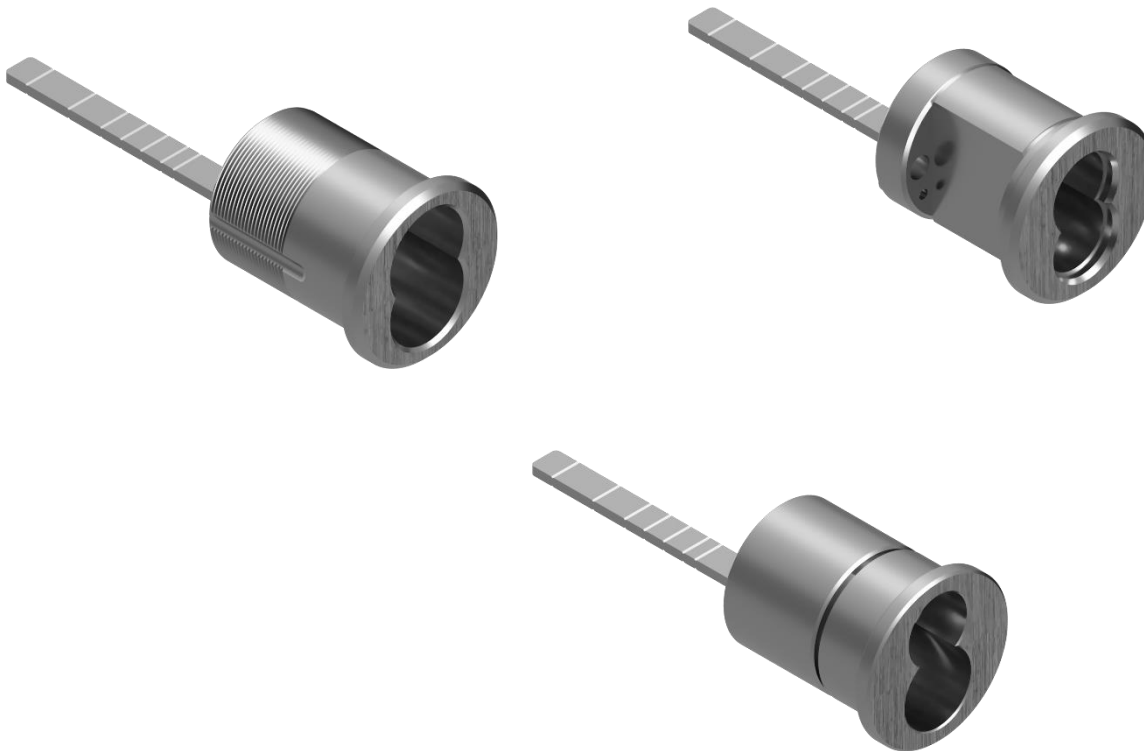


IC RIM HOUSINGS

Model	Description	Carton Qty.	Case Qty.	List Price (ea.)
ICR	Best IC rim housing	10	100	\$23.30
ICSR	Schlage IC rim housing	10	100	\$38.15
CCR	Corbin IC rim housing	10	100	\$40.10
MCR	Medeco IC rim housing	10	100	\$40.10
SCR	Sargent IC rim housing	10	100	\$40.10
YCR	Yale IC rim housing	10	100	\$40.10

* ICM custom lengths available. Special prices apply.

MODEL	FINISH
ICR6	3 (Polished Brass)
ICR7	4 (Satin Brass)
ICSR	10B (Oil Rubbed Bronze)
CCR	19 (Black)
MCR	26 (Polished Chrome)
SCR	26D (Satin Chrome)
YCR	



KNOB/LEVER CYLINDERS



Model	Description	Carton Qty.	Case Qty.	List Price (ea.)
K001	Knob cylinder, 5 pin drilled 6	10	100	\$17.75
K001	Knob cylinder, 6 pin	10	100	\$20.00
K001 AST/ASV/A62	Knob cylinder, 6 pin, AST/ASV/A62 keyway	10	100	\$41.25
K002*	Knob cylinder, Arrow style, 5 pin drilled 6	10	100	\$17.75
K002*	Knob cylinder, Arrow style, 6 pin	10	100	\$20.00
K003**	Knob cylinder, Sargent style, 5 pin drilled 6	10	100	\$18.75
K003**	Knob cylinder, Sargent style, 6 pin	10	100	\$20.95

Master keying available, contact customer service for pricing

* Minimum order of 100 pieces required for all keyways except SC and AW keyways

** Minimum order of 100 pieces required for all keyways except SC and SA keyways

MODEL	KEYWAY	FINISH	KEYING
K001	AW (Arrow 1179) CB (Corbin 60) KW (Kwikset 1176) SC (Schlage C) SE (Segal 9) SX (Schlage C~K) WR (Weiser E) YA (Yale 8)	4 (Satin Brass) 26D (Satin Chrome) 19 (Black) only for K001 SC, SCE, SCF, SX, G23, And G45 keyways only	A2 (Keyed alike in pairs) KD (Keyed different) OB (Zero bitted) Cylinders are drilled 6, Pinned 5.
	CL4 (Corbin L4) RD1 (Russwin D1) SA (Sargent LA) SAX (Sargent LA~LC) SLB (Sargent LB) RA (Sargent RA) SCE (Schlage E) SCF (Schlage F) YGA (Yale GA)		A2-6 (Keyed alike in pairs) KD-6 (Keyed different) OB-6 (Zero bitted) Cylinders are drilled 6, Pinned 6.
	AST (ASSA Twin 6000) ASV (ASSA V10) G23 (Schlage C123) G45 (Schlage C145)		NK-6 Cylinders are sub-assembled With followers, no keys
K002	AW (Arrow 1179) SC (Schlage C)		A2 (Keyed alike in pairs) KD (Keyed different)
K003	SA (Sargent LA) SC (Schlage C)		OB (Zero bitted)

IC CORES



Model	Description	Carton Qty.	Case Qty.	List Price (ea.)
IC6	Best small format IC core, 6 pin	10	100	\$21.65
IC7	Best small format IC core, 7 pin	10	100	\$22.85
IC DD	Best small format IC core, 6/7 pin, DD keyway	10	100	\$25.30
IC7T	Best small format IC core, 7 pin, T series keyway	10	100	\$25.30
IC7W	Best small format IC core, 7 pin, W series keyway	10	100	\$26.55
LFIC	Schlage large format IC core	10	100	\$40.95
SIC	Sargent format IC core, uncombined	10	100	\$40.95
CIC	Corbin format IC core	10	100	\$40.95
MIC	Medeco format IC core, Schlage C keyway	10	100	\$40.95

Master keying available, contact customer service for pricing

Cylinder face engraving (minimum 500 pcs, 12 weeks lead time)	\$1.80
---	--------

MODEL	KEYWAY	FINISH	KEYING
IC6 IC7	A (Best A)	4 (Satin Brass) 19 (Black) 26D (Satin Chrome)	N/A
	B (Best B)		
	C (Best C)		
	D (Best D)		
	E (Best E)		
	F (Best F)		
	G (Best G)		
	H (Best H)		
	J (Best J)		
	IC7		
TB (Best TB)		WB (Best WB)	
TC (Best TC)		WC (Best WC)	
TD (Best TD)		WD (Best WD)	
TE (Best TE)		WG (Best WG) WH (Best WH)	
LFIC	SC (Schlage C)	4 (Satin Brass) 26D (Satin Chrome)	B1 (1-bitted)
	SCE (Schlage E)		
	SCF (Schlage F)		
	SX (Schlage C~K)	26D (Satin Chrome)	NB (1-bitted, no keys)
	G23 (Schlage C123)		
	G45 (Schlage C145)		
SIC	SA (Sargent LA)	4 (Satin Brass) 26D (Satin Chrome)	N/A
	SAX (Sargent LA~LC)		
	SLB (Sargent LB)		
	RA (Sargent RA)		
CIC	CL4 (Corbin L4)		
MIC	SC (Schlage C)	26D (Satin Chrome)	

MASTER KEY/CONSTRUCTION CORES



Model	Description	Carton Qty.	Case Qty.	List Price (ea.)
IC6A26D K1/2	Best small format IC core, 6 pin, Best A keyway, master key (price with 2 keys)	10	100	\$41.25
IC7A26D K3/4	Best small format IC core, 7 pin, Best A keyway, master key (price with 2 keys)	10	100	\$43.05
IC6A4 K5/6	Best small format IC core, 6 pin, Best A keyway, construction Green/Red	10	100	\$33.60
IC7A4 K7/8	Best small format IC core, 7 pin, Best A keyway, construction Green/Red	10	100	\$35.35
LFICSC19-(A, B, C)	Schlage large format IC construction core, Schlage C keyway, US19 finish, no key	10	100	\$39.80
SIC(A)	Sargent format construction IC core, Sargent LA keyway, no key	10	100	\$39.80
CIC (Red)	Corbin format construction IC, Corbin L4 keyway, Red, no key	10	100	\$39.80
MICSC19-C	Medeco format construction core, Schlage C keyway, no key	10	100	\$39.80

Cylinder face engraving (minimum 500 pcs, 12 weeks lead time)

\$1.80

Model	Description	Price (Net ea.)
KBBA-K0(1,2,3,4)C	Control key for K1, K2, K3, K4 master key cores	\$1.50
KBBA-K0(1,2,3,4)M	Master key for K1, K2, K3, K4 master key cores	\$1.50
KBBA-K0(5,6,7,8)C	Control key for K5, K6, K7, K8 construction cores	\$1.50
KBBA-K0(5,6,7,8)O	Operating key for K5, K6, K7, K8 construction cores	\$1.50
KB6CL4PB-RED	Operating key for Corbin format construction cores	\$1.25
KB6CL4PB-RED-CTL	Control key for Corbin format construction cores	\$1.25
KB6SAPB-A	Operating key for Sargent format construction cores	\$1.25
KB6SAPB-A-CTL	Control key for Sargent format construction cores	\$1.25
KB6SCPB-(A, B, C)	Operating key for large format construction cores	\$1.25
KBLFSCPB-(A, B, C)	Control key for large format construction cores	\$1.40
KB6SCPB-C	Operating key for Medeco format construction cores	\$1.25
KB6SCPB-MIC-C	Control key for Medeco format construction cores	\$1.25

PROFILE CYLINDERS

Model	Description	Carton Qty.	Case Qty.	List Price (ea.)
PR10	Euro-profile single cylinder, 5 pin	10	100	\$29.80
PR11	Euro-profile double cylinder, 5 pin	10	100	\$57.95
PR12	Euro-profile cylinder/thumb-turn, 5 pin	10	100	\$57.95

Master keying available, contact customer service for pricing

MODEL	KEYWAY	FINISH	KEYING
PR10	KW (Kwikset 1176)	3 (Polished Brass)	KD (Keyed different)
PR11	SC (Schlage C)	4 (Satin Brass)	
PR12	YA (Yale 8)	26D (Satin Chrome)	

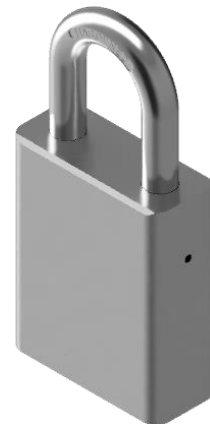
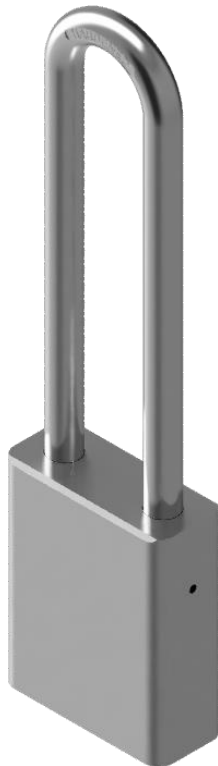


USA PADLOCKS

Model	Description	Carton Qty.	Case Qty.	List Price (ea.)
P1751	Standard padlock, 1-3/4" wide body, 1" shackle, 5 pin drilled 6	6	48	\$44.45
P1751LX	Standard padlock, 1-3/4" wide body, 1" shackle, less cylinder, w/KIT-LUG	6	48	\$37.85
P1752	Standard padlock, 1-3/4" wide body, 2" shackle, 5 pin drilled 6	6	48	\$48.85
P1752LX	Standard padlock, 1-3/4" wide body, 2" shackle, less cylinder, w/KIT-LUG	6	48	\$42.25
P1754	Standard padlock, 1-3/4" wide body, 4" shackle, 5 pin drilled 6	6	48	\$49.90
P7154LX	Standard padlock, 1-3/4" wide body, 4" shackle, less cylinder, w/KIT-LUG	6	48	\$43.30
P2001	Standard padlock, 2" wide body, 1" shackle, 5 pin drilled 6	6	48	\$47.45
P2001LX	Standard padlock, 2" wide body, 1" shackle, less cylinder, w/KIT-LUG	6	48	\$40.85
P2002	Standard padlock, 2" wide body, 2" shackle, 5 pin drilled 6	6	48	\$51.80
P2002LX	Standard padlock, 2" wide body, 2" shackle, less cylinder, w/KIT-LUG	6	48	\$45.20
P2004	Standard padlock, 2" wide body, 4" shackle, 5 pin drilled 6	6	48	\$52.90
P2004LX	Standard padlock, 2" wide body, 4" shackle, less cylinder, w/KIT-LUG	6	48	\$46.25
ICP1751	Small format IC padlock, 1-3/4" wide, 1" shackle, less cylinder	6	48	\$32.95
ICP1752	Small format IC padlock, 1-3/4" wide, 2" shackle, less cylinder	6	48	\$37.35
ICP1754	Small format IC padlock, 1-3/4" wide, 4" shackle, less cylinder	6	48	\$38.40
ICP2001	Small format IC padlock, 2" wide, 1" shackle, less cylinder	6	48	\$35.95
ICP2002	Small format IC padlock, 2" wide, 2" shackle, less cylinder	6	48	\$40.30
ICP2004	Small format IC padlock, 2" wide, 4" shackle, less cylinder	6	48	\$41.40
LFICP1751	Large format IC padlock, 1-3/4" wide, 1" shackle, less cylinder	6	48	\$36.40
LFICP1752	Large format IC padlock, 1-3/4" wide, 2" shackle, less cylinder	6	48	\$40.80
LFICP1754	Large format IC padlock, 1-3/4" wide, 4" shackle, less cylinder	6	48	\$41.85
LFICP2001	Large format IC padlock, 2" wide, 1" shackle, less cylinder	6	48	\$39.40
LFICP2002	Large format IC padlock, 2" wide, 2" shackle, less cylinder	6	48	\$43.75
LFICP2004	Large format IC padlock, 2" wide, 4" shackle, less cylinder	6	48	\$44.85

Master keying available, contact customer service for pricing

MODEL	SHACKLE CLEARANCE	KEYWAY	KEYING
P175 P200	1 (1") 2 (2") 4 (4")	SC (Schlage C) SX (Schlage C~K) KW (Kwikset 1176) WR (Weiser E)	OB (Zero bitting) Cylinders are drilled 6, Pinned 5.
ICP175 ICP200 LFICP175 LFICP200		N/A	N/A



KEY BLANKS

Model	Description	Carton Qty.	Case Qty.	List Price
KB5	Brass key blanks, 5 pin, 50 pack	n/a	n/a	\$40.00
KB6	Brass key blanks, 6 pin, 50 pack	n/a	n/a	\$42.50
KBB	Nickel silver key blanks, Best, 7 pin, 50 pack	n/a	n/a	\$87.50
KBB DD	Nickel silver key blanks, Best DD, 7 pin, 50 pack	n/a	n/a	\$157.50
KBB T	Nickel silver key blanks, Best T series, 7 pin, 50 pack	n/a	n/a	\$157.50
KBB W	Nickel silver key blanks, Best W series, 7 pin, 50 pack	n/a	n/a	\$215.00
KBLF	Brass key blanks, control key for Schlage LF cores, 5 pack	n/a	n/a	\$6.60

PARTS KITS

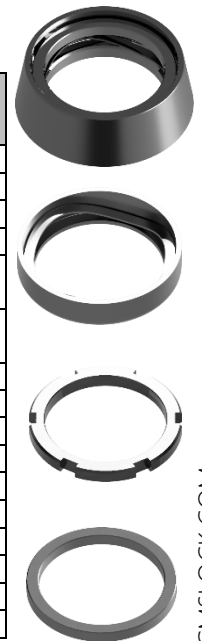
Model	Description	List Price (ea.)
KIT-PART01	Mortise cylinder cam kit	\$252.85
KIT-PART02	Small & large format housing cam kit	\$278.70
KIT-PART03	Rim cylinder part kit	\$117.15
KIT-PART04	Collar kit	\$196.50

CAMS

Model	Description	Carton Qty.	Case Qty.	List Price
CAM1	Mortise cylinder cams, 10 pack	n/a	n/a	\$17.35
CAM2	IC mortise housing cams, 10 pack	n/a	n/a	\$17.35
CAM3	Large format mortise IC housing cam, 10 pack	n/a	n/a	\$17.35
CAM4	AST/ASV/A62/G23/G45 keyway mortise cylinder cams, 10 pack	n/a	n/a	\$17.35

COLLARS

Model	Description	Carton Qty.	Case Qty.	List Price				
COL2	Mortise cylinder trim ring, 1/8", 10 pack	n/a	n/a	\$19.15				
COL3	Mortise cylinder collar, 1/4" with spring washer, 10 pack	n/a	n/a	\$48.10				
COL4	Rim cylinder collar, 10 pack	n/a	n/a	\$29.80				
COL5	Mortise cylinder threaded ring, 10 pack	n/a	n/a	\$37.95				
COL6	Hardened steel security collar, with spacer and spring washer	n/a	n/a	\$9.05				
COL6L	Long hardened steel security collar, with spacer and spring washer	n/a	n/a	\$10.65				
COL10	1/8" brass blocking ring, 10 pack	n/a	n/a	\$29.80				
COL11	1/4" brass blocking ring, 10 pack	n/a	n/a	\$29.80				
COL12	3/8" brass blocking ring, 10 pack	n/a	n/a	\$35.15				
COL13	1/2" brass block ring, 10 pack	n/a	n/a	\$35.15				
COL14	5/8" brass block ring, 10 pack	n/a	n/a	\$35.15				
COL36-12	Schlage style blocking ring, 1/8", 10 pack	n/a	n/a	\$74.45				
COL36-18	Schlage style blocking ring, 3/16", 10 pack	n/a	n/a	\$74.45				
COL36-25	Schlage style blocking ring, 1/4", 10 pack	n/a	n/a	\$74.45				
COL36-37	Schlage style blocking ring, 3/8", 10 pack	n/a	n/a </tr <tr> <td>COL36-50</td> <td>Schlage style blocking ring, 1/2", 10 pack</td> <td>n/a</td> <td>n/a</td> <td>\$80.15</td> </tr>	COL36-50	Schlage style blocking ring, 1/2", 10 pack	n/a	n/a	\$80.15
COL36-50	Schlage style blocking ring, 1/2", 10 pack	n/a	n/a	\$80.15				



TAILPIECES

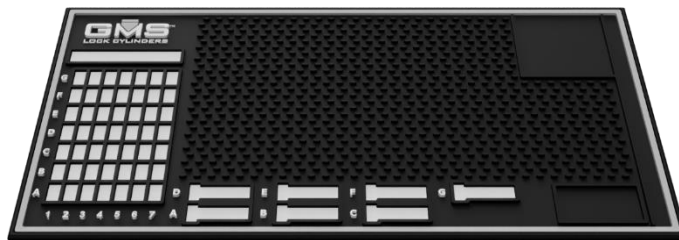
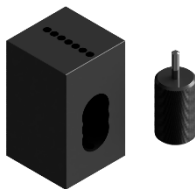
Model	Description	Carton Qty.	Case Qty.	List Price
TLP-WA	Tailpiece washer, 10 pack	<i>n/a</i>	<i>n/a</i>	\$0.50
TLP1	Knob long fixed tailpiece, 10 pack	<i>n/a</i>	<i>n/a</i>	\$15.45
TLP2	Knob medium fixed tailpiece, 10 pack	<i>n/a</i>	<i>n/a</i>	\$15.45
TLP3	Knob short fixed tailpiece, 10 pack	<i>n/a</i>	<i>n/a</i>	\$15.45
TLP4	Rim cylinder tailpiece with fixed motion driver, 10 pack	<i>n/a</i>	<i>n/a</i>	\$24.45
TLP5	Single cylinder deadbolt tailpiece, 10 pack	<i>n/a</i>	<i>n/a</i>	\$19.30
TLP6	Double cylinder deadbolt tailpiece, 10 pack	<i>n/a</i>	<i>n/a</i>	\$12.90
TLP7	IC rim housing tailpiece, 10 pack	<i>n/a</i>	<i>n/a</i>	\$15.45
TLP8	Schlage ND series tailpiece, 10 pack	<i>n/a</i>	<i>n/a</i>	\$15.45
TLP9	Schlage rim housing tailpiece, 10 pack	<i>n/a</i>	<i>n/a</i>	\$28.35

SCREWS

Model	Description	Carton Qty.	Case Qty.	List Price
SCR1	Mortise cylinder cam screws, 10 pack	<i>n/a</i>	<i>n/a</i>	\$2.70
SCR2	Rim cylinder mounting screws, 10 pack	<i>n/a</i>	<i>n/a</i>	\$9.70
SCR3	IC mortise housing cam screws, 10 pack	<i>n/a</i>	<i>n/a</i>	\$2.70
SCR4	IC mortise housing security screws, 10 pack	<i>n/a</i>	<i>n/a</i>	\$4.75
SCR5	Padlock cylinder retaining/LF IC housing cam screws, 10 pack	<i>n/a</i>	<i>n/a</i>	\$5.50
SCR13	Extra length mortise cylinder cam screws (short), 10 pack	<i>n/a</i>	<i>n/a</i>	\$3.00
SCR14	Extra length mortise cylinder cam screws (medium), 10 pack	<i>n/a</i>	<i>n/a</i>	\$3.00
SCR15	Extra length mortise cylinder cam screws (long), 10 pack	<i>n/a</i>	<i>n/a</i>	\$3.00

TOOLS

Model	Description	Carton Qty.	Case Qty.	List Price
CB-02	Capping block w/punch for BEST IC cores	<i>n/a</i>	<i>n/a</i>	\$286.20
CB-PUNCH-01	Capping punch for CB-02	<i>n/a</i>	<i>n/a</i>	\$61.35
CMT	Corematic, Capping machine	<i>n/a</i>	<i>n/a</i>	Please call
CMT-A	Corematic, Capping assembly only	<i>n/a</i>	<i>n/a</i>	Please call
CMT-S	Corematic, Capping strip only	<i>n/a</i>	<i>n/a</i>	Please call
CP-02	Capping press for BEST IC cores	<i>n/a</i>	<i>n/a</i>	\$286.20
KIT-PINMAT	GMS pinning mat	<i>n/a</i>	<i>n/a</i>	\$40.10
KIT-PIN03	Medeco core pinning kit	<i>n/a</i>	<i>n/a</i>	\$375.00



ACCESSORIES

Model	Description	Carton Qty.	Case Qty.	List Price
CAP-60	K001 end cap 6.0mm, 10 pack	<i>n/a</i>	<i>n/a</i>	\$11.60
CAP-70	K001 end cap 7.0mm, 10 pack	<i>n/a</i>	<i>n/a</i>	\$11.60
DRV-RT	Standard padlock key retaining driver, 10 pack	<i>n/a</i>	<i>n/a</i>	\$19.30
IC-SP1	IC housing spacer, 10 pack	<i>n/a</i>	<i>n/a</i>	\$3.85
KIT-LUG	Padlock retainer lug and driver for knob/lever cylinders	<i>n/a</i>	<i>n/a</i>	\$4.80
KIT-K001YA	Yale conversion kit	<i>n/a</i>	<i>n/a</i>	\$5.60
K001HSKIT	Knob cylinder housing kit	<i>n/a</i>	<i>n/a</i>	\$16.90
MPT1	Rim cylinder mounting plate, 10 pack	<i>n/a</i>	<i>n/a</i>	\$20.55
P001	Knob cylinder plug, drilled 6	<i>n/a</i>	<i>n/a</i>	\$9.85
RPIN-01	Retaining pin, 10 pack	<i>n/a</i>	<i>n/a</i>	\$3.85
RPIN-02	Retaining pin for LFIC, 10 pack	<i>n/a</i>	<i>n/a</i>	\$5.80
SPR5	Cylinder spring washer, 10 pack	<i>n/a</i>	<i>n/a</i>	\$10.90
SPR6	Retaining pin spring, 10 pack	<i>n/a</i>	<i>n/a</i>	\$2.30

Terms

Sales are net 30 days from the date of invoice for qualified, approved open accounts. All other orders will be C.O.D. or prepaid. Accounts past due are charged a 1.5% (18% annum) finance charge billed monthly on unpaid bills and will not be shipped merchandise until balance is current.

Prices

All prices are subject to change without notice and are not guaranteed. Prevailing prices at time of shipment will apply.

Minimum Order

No order will be invoiced for less than \$50.00USD plus shipping charges. An annual purchase of \$5,000.00USD minimum is required to maintain an open account. 10% surcharge applies for items ordered in less than carton quantities.

Drop Shipments

Orders may be drop shipped with a 10% surcharge provided the minimum order requirement is met.

Freight

Freight charges are prepaid and added to invoice. If invoice exceeds one thousand dollars (\$1,000.00USD net), full surface freight is deductible, provided invoice is paid within terms. The risk of loss passes to the buyer when the goods are shipped from GMS warehouses.

Delivery Conditions

Specified shipping dates are based only on our best estimates and cannot be guaranteed. We cannot accept orders, which are subject to a penalty clause. GMS is not responsible for, and assumes no liability for, any damages or penalties that might be incurred due to delay in the shipment of its products.

Title

All merchandise is sold subject to these conditions and shall remain the property of GMS until paid for in full, with all risk of loss or damage to merchandise is assumed by the buyer.

Returns

Goods may not be returned without prior written authorization from GMS. Returned material must be sent prepaid or it will not be accepted. The returned goods must be accompanied by a written list of the items returned and must contain an explanation regarding the reason for the return. New and unused material of current design accepted by GMS for return is subject to a minimum of 20% restocking and handling charge. Any returns/exchanges due to errors in shipping are subject to restocking/shipping charges if errors are not reported within 2 weeks of receiving the order.

Guarantee

All GMS products are guaranteed against defects in material or workmanship. GMS does not, however, guarantee its products against defects due to improper installation, the failure to perform due to improper maintenance, or uses for which they were not designed. GMS' only obligation under this guarantee is to repair or replace any of its products assessed by GMS to be defective in material and workmanship after such product is returned to GMS within one year of purchase date by the original purchaser free and clear of all liens and encumbrances, along with proof of purchase and with shipping charges prepaid. GMS disclaims all liability for consequential, incidental or special damages, or lost profits or savings, even if GMS is aware of the possibility thereof, arising out of the purchase or use of products by buyer. Some states do not allow the exclusion or limitation or incidental, consequential or special damages, or lost profit or savings, so the above limitation or exclusion may not apply to the buyer.

A PERFECT FIT



UNITED STATES
6805 S 220th Street
Kent, WA 98032

CANADA
170-12860 Clake Place
Richmond, BC V6V 2H1

877-704-5625

GMSLOCK.COM